

AGS GENERAL PURPOSE SINGLE SHAFT SHREDDER

AGX/AGS/AGF/AGH



KEY FEATURES >

- Large diameter flat rotor
- Machined pocket knife holders
- Optional hard facing
- Concave ground square knives
- Robust ram construction
- Heavy duty guide bearings
- Universal couplings
- Low speed, high torque geared drive
- Reduced footprint - (compared to horizontal pusher designs)
- Powerful hydraulic swing type ram
- Bolt in drive shafts
- Oil cooling on ram and gearbox
- Two speed hydraulic system
- Multiple rotor designs
- Ram comb plate
- Amp meter control

OPTIONS >

- Hydraulic screen cradle
- Gearbox with shrink disc
- Rotor cooling
- Pipe spacer
- Touch screen PLC
- Hopper mounted viewing mirror
- Increased motor drive
- Hydraulic drive

GENERAL DESCRIPTION >

The AGS General Purpose Single Shaft Shredder has a 457mm diameter profiled rotor made of solid steel, operating at a speed of 74rpm. The concave ground, aggressive 4-way rotating knives are mounted in the grooves of the profiled rotor with special knife holders. This enables a reduction of the cutting gap between the counter knives and the rotor which guarantees a high flow rate, low power consumption and maximum output of shredded material.

The hydraulically operated ram feeds the material automatically in the rotor's cutting chamber by load-related controls. The hydraulic system is equipped with high-pressure valves and volumetric flow controls which can be set according to the requirements of the input material.

Extremely robust pedestal bearing housings are mounted outside the machine and separate to the cutting chamber to prevent dust and dirt penetrating into the oversized

bearings. This ensures a long service life and minimum service and maintenance.

Power is transmitted from the motor by a drive belt via an oversized gearbox which is located on the shaft end on one end of the rotor.

A safety switch prevents machine startup when the front panel is open and the machine features emergency stop buttons on the machine body and control panel.

APPLICATIONS >

The AGS Shredders have been designed with a wide range of applications and industries in mind such as:
PLASTICS / WOOD / BIOMASS / PAPER / ALTERNATIVE FUELS (RDF/SRF) / DOMESTIC & COMMERCIAL WASTE

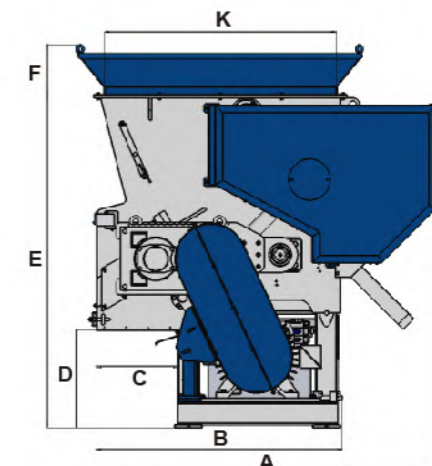
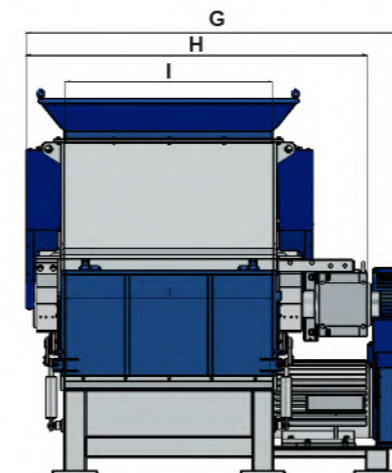
AGS GENERAL PURPOSE SINGLE SHAFT SHREDDER

AGX/AGS/AGF/AGH



SPECIFICATION >

ITEM	UNIT	AGS850	AGS1200	AGS1500	AGS2000	
Cutting Chamber	mm	840×1570	1120×1570	1400×1570	1960×1570	
Rotor Diameter	mm	457	457	457	457	
Rotor Speed	rpm	74	74	74	74	
Motor Power	kw	37/45/55	55	75	2×55/2×75	
Rotor Knives	pcs	60	81	102	144	
Stator Knives	pcs	2×3	2×4	2×5	2×7	
Hydraulic Ram Power	kw	3.75	5.6	5.6	5.6	
Screen Size	mm	40~100	40~100	40~100	40~100	
Shredding Chamber Size	mm	800×730	800×1000	800×1290	800×1860	
Dimensions	A	mm	2300	2300	2300	2300
	B	mm	1650	1650	1650	1650
	C	mm	540	540	540	540
	D	mm	660	660	660	660
	E	mm	2250	2250	2250	2250
	F	mm	350	350	350	350
	G	mm	2000	2280	2600	3720



JIANGSU KITECH MACHINERY CO.,LTD

Tel : +86-512-5862 0105 Fax : +86-512-5896 2531
 Email : info@kitechpm.com Web : www.kitechpm.com
 Add : No.7 Jiulong industry park, Jinfeng Town, Zhangjiagang City, Jiangsu, China